

## ATTENTION

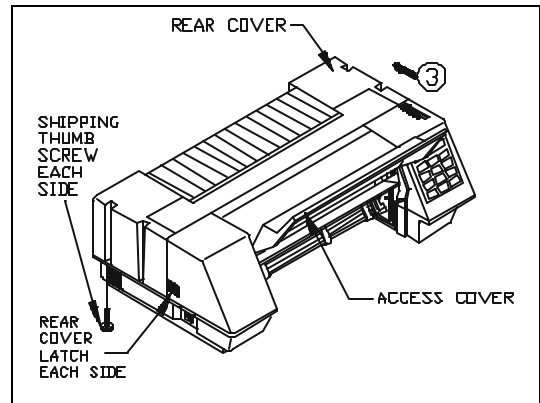
### PLEASE READ THE FOLLOWING INSTRUCTIONS BEFORE UNPACKING PRINTER

- 1- Remove all items from the box.

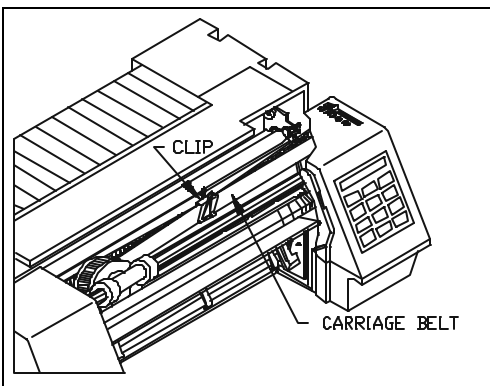
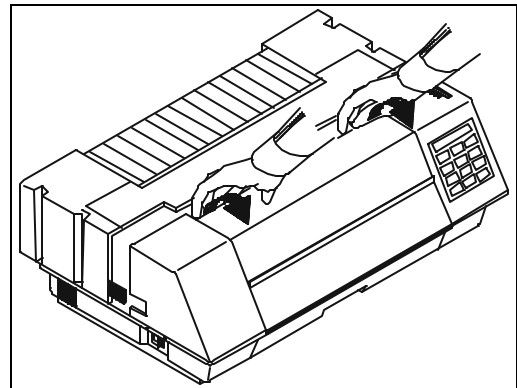
**IMPORTANT:** Save the shipping carton and all packaging materials to prevent shipping damage in case the printer needs to be moved.

- 2- Remove the two rear cover shipping screws from each side of the printer as shown, before attempting to open the rear cover set.

- 3- Locate the cover latches on each side of the printer. Press both latches at the same time and slide the rear cover toward the rear of the printer.



- 4- Make sure the bottom portion of the access cover is fully closed. Pull on the top access cover as shown and pivot the corner toward the front of the printer to expose the printhead and carriage assembly.



- 5- Locate and remove the clip that secures the carriage belt.

**TO ENSURE PROPER SET-UP AND OPERATION OF YOUR PRINTER, PLEASE REFER TO THE USER MANUAL FOR MORE DETAILED INSTRUCTIONS.**