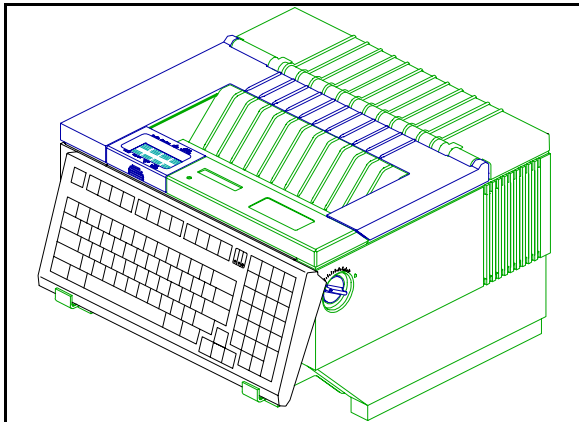
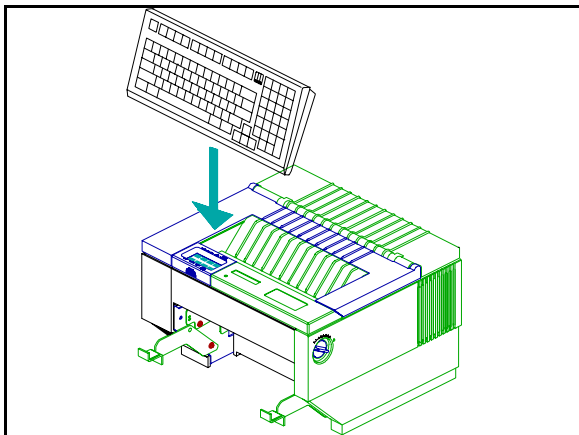
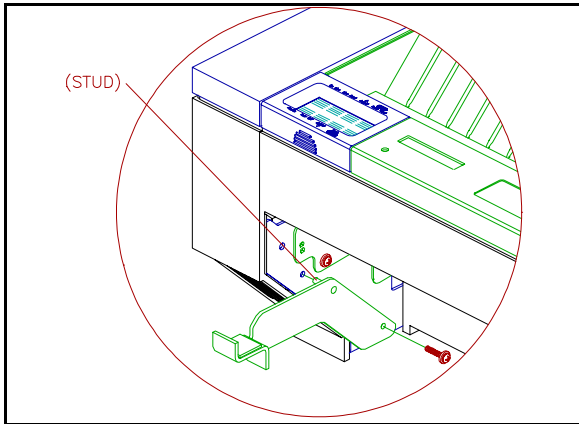
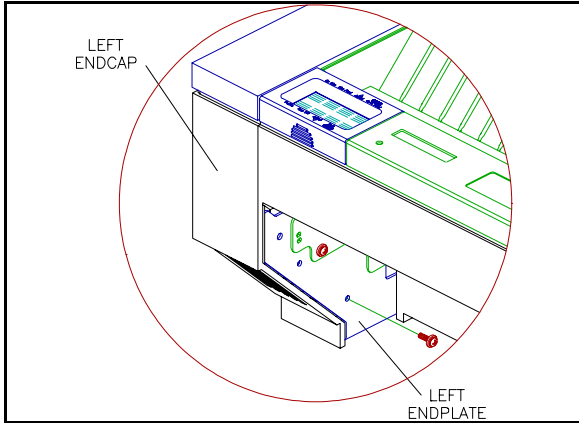


INSTALLATION INSTRUCTIONS (For Vertical Keyboard Support Arms) BBF-104817 Rev. *



1. NOTE: To install this product you will need a Phillips screwdriver (not included).
2. Remove (3) endcap screws from the left and right endplates with a Phillips screwdriver.
3. Using the (3) #8 x 1/2" long screws (included with kit) and a Phillips screwdriver, install the keyboard supports as shown (the keyboard support with the stud goes on the left side.)
4. Position the KSR keyboard on the vertical supports as shown.
5. Route the keyboard cord around the left side of the printer. (CAUTION: Do not allow the cord to interfere with the printer's paper path).

Should you require assistance during assembly, please call our Customer Service Department..... Monday-Friday : 8am - 5pm E.S.T.
(800) 476 - 2450