

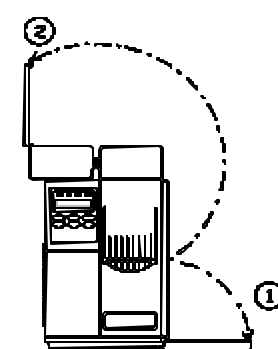
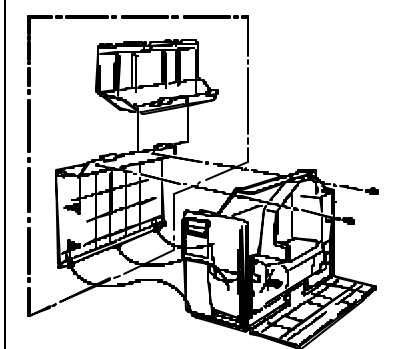
SIGMA DATA 7200 POWER SUPPLY UNIT REPLACEMENT INSTRUCTIONS

Tools Required:

- No.2 Phillips screwdriver
- Wrist strap (or similar device) for ESD grounding

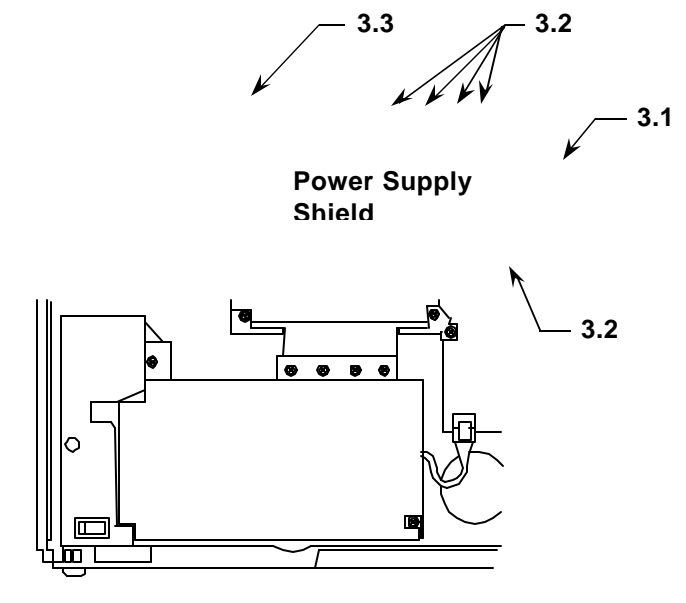
To Prepare the Printer for Maintenance:

1. Verify that all replacement parts and tools are present.
2. Turn off the power switch, unplug the AC power cord, and disconnect all communication and interface cables.

<ol style="list-style-type: none"> 3. (1) Unlock and open the Lower Right Side Cover then (2) open the Upper Right Side Cover completely, until it rest on the Service Cover (Fig.1). 4. Remove the Service Cover by removing the two M3 Phillips screws holding the Service Cover to the upper frame of the printer (Fig. 2). 	 <p>Fig. 1</p>	 <p>Fig. 2</p>
--	--	---

To Replace the Power Supply Unit:

IMPORTANT: Properly ground yourself using an ESD wrist strap (or similar device) to prevent static discharge damage to the electronics.

<ol style="list-style-type: none"> 5. Disconnect the four pin Power Supply Connector [3.1] from the Main PCB Assembly. Remove five M3 Phillips screws [3.2] and one M3 Phillips tapping screw [3.3] from the Power Supply Shield. 	 <p>Power Supply Shield</p> <p>Fig. 3</p>
--	---

6. Remove the Power Supply Shield from the Flash Card Shield [4.4] and disconnect the four pin CN2 Connector [4.5] from the Power Supply Unit [4.6].

7. Remove two M3 Phillips screws [4.7] (located on the upper and lower left corners) and two M3 Phillips tapping screws (the longer screw [4.8] in the center and the shorter screw [4.9] in the upper right corner) from the Power Supply Unit [4.6]. Then carefully move the Power Supply Unit away from the Flash Card Shield and disconnect the five pin CN1 Connector [4.10] from the Power Supply Unit.

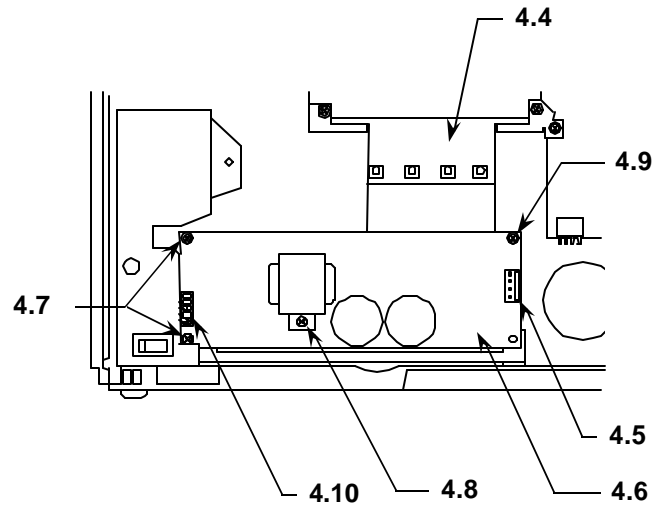


Fig. 4

8. When installing the new Power Supply, connect the five pin CN1 connector [5.10] then carefully align the corner holes of the new Power Supply Unit with the holes on the Flash Card Shield. Place the long M3 Phillips tapping screw [5.8] in the center hole of the new Power Supply Unit but do not tighten. Place the remaining screws in their previous location then tighten all screws.

9. Connect the four pin CN2 connector [5.9] to the new Power Supply Unit then assemble all parts previously removed in reverse order.

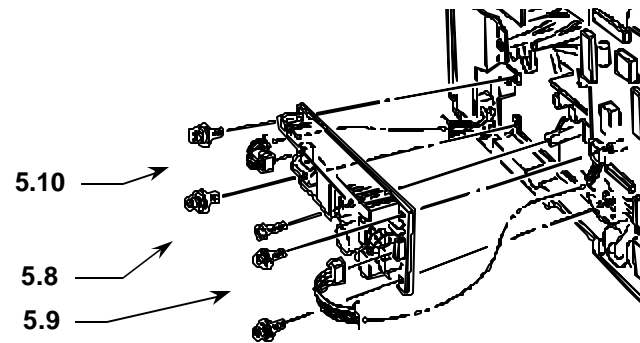


Fig. 5

10. Close the Upper Right Side Cover, then close and lock the Lower Right Side Cover.

11. Reconnect all communication and interface cables, plug-in the AC power cord and turn on the power switch.

12. Verify proper functionality by printing a test coupon (*refer to the Operations and/or Maintenance Manuals if you need additional information*).